

MALE / SOCKET RACI-PUSH



MOD. 2253 | PN 16 | DN 1" - 2"

Ends with external and internal threading integrated with Raci-push socket

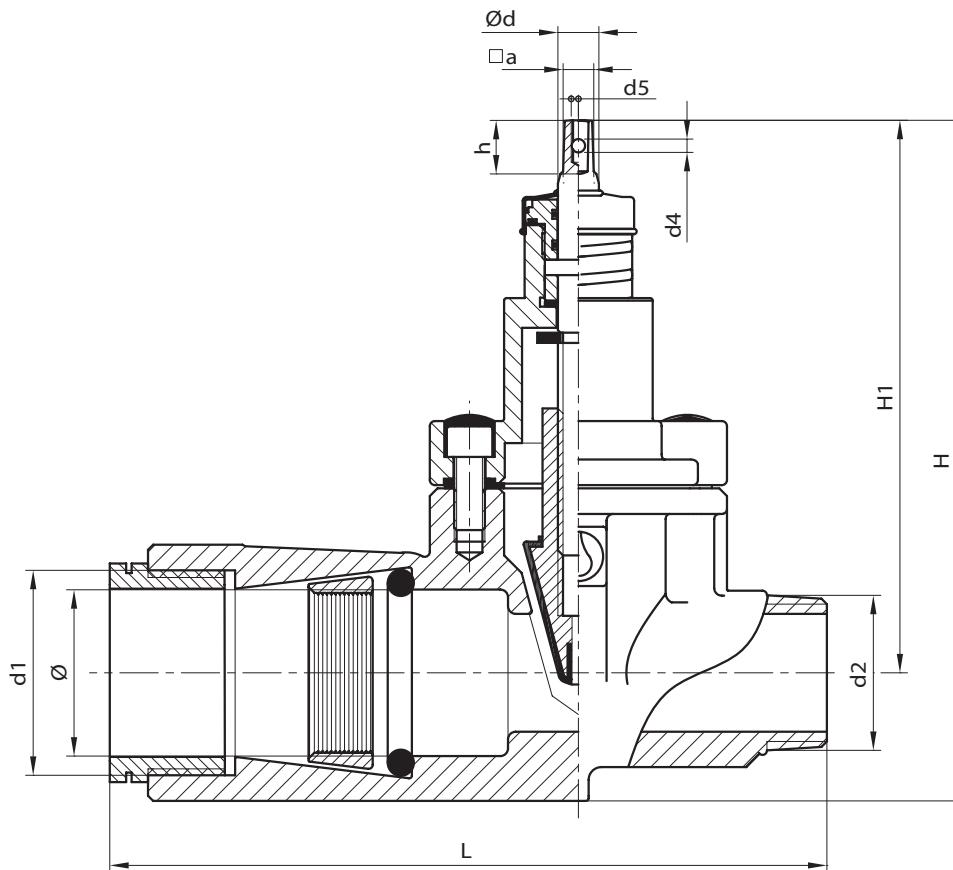


SPECIAL FEATURES

- Inlet for direct connection to the pipe saddles, outlet with integral socket for PE pipes (fully restraint type RaciPush) and female threading for steel pipe or fittings, suitable for under pressure drilling.
- Manufactured according to the requirements of EN 1074.
- Body and bonnet high quality powder coated (fusion bonded), coating thickness DFT min. 250 micron, zero porosity (tested with 3000V), high impact resistance and cross-linkage according to DIN 30677-2 and DIN 3476.
- Multiple O-Ring spindle sealing system embedded in non-corrosive material to DIN 3547-1.
- Additional back sealing disc for O-Rings replacement under pressure to ISO 7259.
- Anti friction bush on spindle neck.
- Non-rising stainless steel spindle (single forged round bar with rolled threading).
- Wedge on sealing surfaces completely rubber vulcanised, with drain hole.
- Threads according to EN 10226-1.
- Fasteners protected against corrosion by special resin sealing.
- Manual operation by handwheel, operating cap, extension spindle (underground installation).



All metal, rubber, and coatings used have been designed for contact with water for human consumption, pursuant to the terms of Italian Health Ministry decree n° 174, dated 6/4/2004.



MATERIALS

Body and bonnet:

Ductile iron according to EN-GJS-400-15 /EN 1563 (former to DIN GGG40)

Spindle:

Stainless steel 1.4021/EN ISO 10088 (equivalent to UNI X20Cr13 or AISI420)

Wedge:

Brass CuZn40Pb2, rubber vulcanised, potable water approved

O-Ring bush:

Brass CuZn40Pb2

Anti-friction bush:

POM

O-Rings, back seal, bonnet seal and dust cap:

Rubber, potable water approved

Fastening screws:

Stainless steel A2-70/EN ISO 3506

Grip ring:

POM

DN	Ø	d1	d2	L	H	H1	Ød	□a	h	d4/d5	Weight (kg)
1"	32	1"1/4	1"1/4	191	169	198	16	10,5-12	21	5/M5	3,29
1"1/4	40	1"1/2	2"	233	215	248	16	10,5-12	21	5/M5	5,17
1"1/2	50	2"	2"	247	215	255	16	10,5-12	21	5/M5	5,87
2"	63	2"1/2	2"	265	215	265	16	10,5-12	21	5/M5	6,74

All metal, rubber, and coatings used have been designed for contact with water for human consumption, pursuant to the terms of Italian Health Ministry decree n° 174, dated 6/4/2004.