

# SOCKET/SOCKET RACI-PUSH

MOD. 2260

PN 16

DN 3/4" - 2"

Both ends with integral sockets for PE pipes, fully restraint.



## SPECIAL FEATURES

- Manufactured according to the requirements of EN 1074.
- Body and bonnet high quality powder coated (fusion bonded), coating thickness DFT min. 250 micron, zero porosity (tested with 3000V), high impact resistance and cross-linkage according to DIN 30677-2 and DIN 3476
- Multiple O-Ring spindle sealing system embedded in non-corrosive material to DIN 3547-1.
- Additional back sealing disc for O-Rings replacement under pressure to ISO 7259.
- Anti friction bush on spindle neck.
- Non-rising stainless steel spindle (single forged round bar with rolled threading).
- Wedge on sealing surfaces completely rubber vulcanised, with drain hole.
- Fasteners protected against corrosion by special resin sealing.
- Manual operation by handwheel, operating cup, extension spindle (underground installation).

## MATERIALS

### Body and bonnet:

Ductile iron according to EN-GJS-400-15/EN 1563 (former to DIN GGG40)

### Spindle:

Stainless steel 1.4021/EN ISO 10088 (equivalent to UNI X20Cr13 or AISI420)

### Wedge:

Brass CuZn40Pb2, rubber vulcanised, potable water approved

### O-Ring bush:

Brass CuZn40Pb2

### Anti-friction bush:

POM

### O-Rings, back seal, bonnet seal and dust cap:

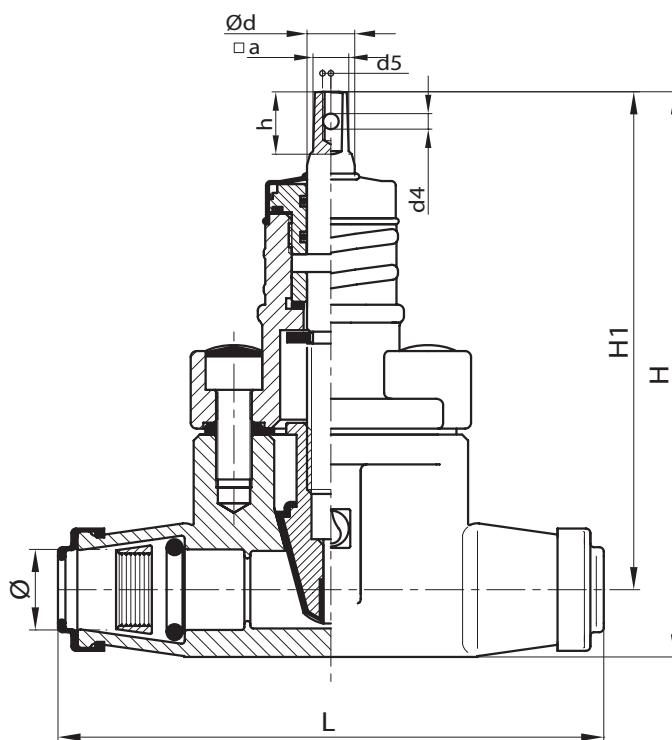
Rubber, potable water approved

### Fastening screws:

Stainless steel A2-70/EN ISO 3506

### Grip rings:

POM



DN	Ø	L	H	H1	Ø d	□ a	h	d4/d5	Weight (kg)
3/4"	25	170	158,5	136	16	10,5-12	21	5/M5	3
1"	32	170	158,5	136	16	10,5-12	21	5/M5	3
1"1/4	40	220	218	182	16	10,5-12	21	5/M5	5
1"1/2	50	232	222	182	16	10,5-12	21	5/M5	5
2"	63	270	230	182	16	10,5-12	21	5/M5	6,5

All metal, rubber, and coatings used have been designed for contact with water for human consumption, pursuant to the terms of Italian Health Ministry decree n° 174, dated 6/4/2004.