

SURFACE BOXES



MOD. 4401

MOD. 4402

Surface boxes with plastic body for application on sidewalks and roadsides.



SPECIAL FEATURES

- Surface box composed by plastic body and ductile iron cover with high quality EPOXY powder coating, complete with fixing guide stainless steel screw.
- Good chemical resistance and constant geometrical and mechanical characteristics at different temperatures.
- Reduced weight.
- Electrical/chemical corrosion free.
- No obstruction between body and cover due to frost.
- Noisless.

MATERIALS

Body

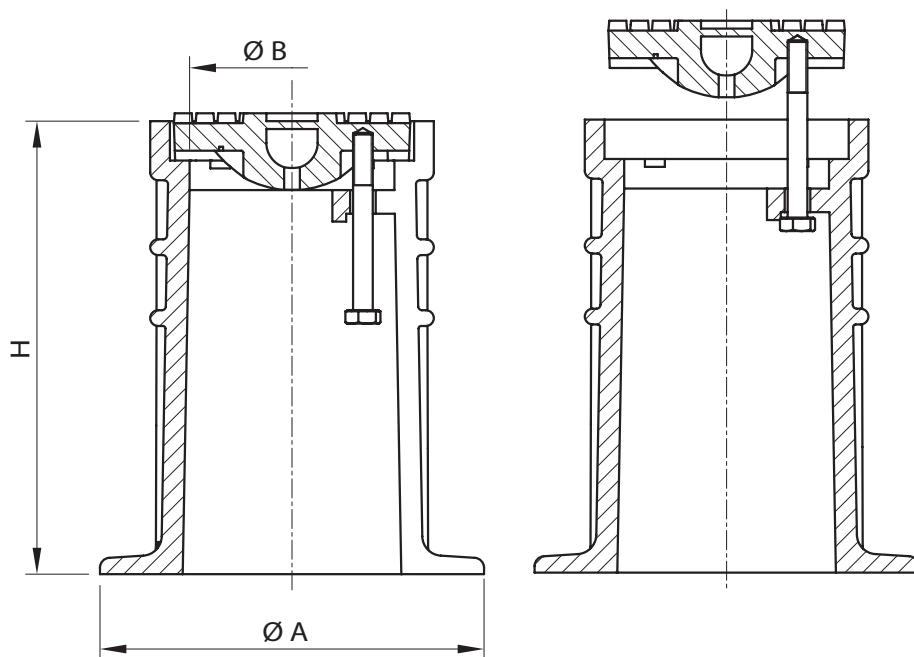
High density polyethylene HDPE

Cover

Ductile iron EN-GJL-400-15 / EN 1563.

Fixing guide screw

Stainless steel A2-70 EN ISO 3506.



	A	B	C	Weight (kg)
MOD. 4410	195	104	230	3
MOD. 4420	270	140	270	5

All metal, rubber, and coatings used have been designed for contact with water for human consumption, pursuant to the terms of Italian Health Ministry decree n° 174, dated 6/4/2004.