

KINETIC TYPE FROM DUCTILE IRON

MOD. 5201	PN 16	DN 50-250
MOD. 5202	PN 25	DN 50-250

Flanged connection, stainless steel fasteners.

MOD. 5211	PN 16	DN 50-250
MOD. 5212	PN 25	DN 50-250

Flanged connection, galvanized steel fasteners.



SPECIAL FEATURES

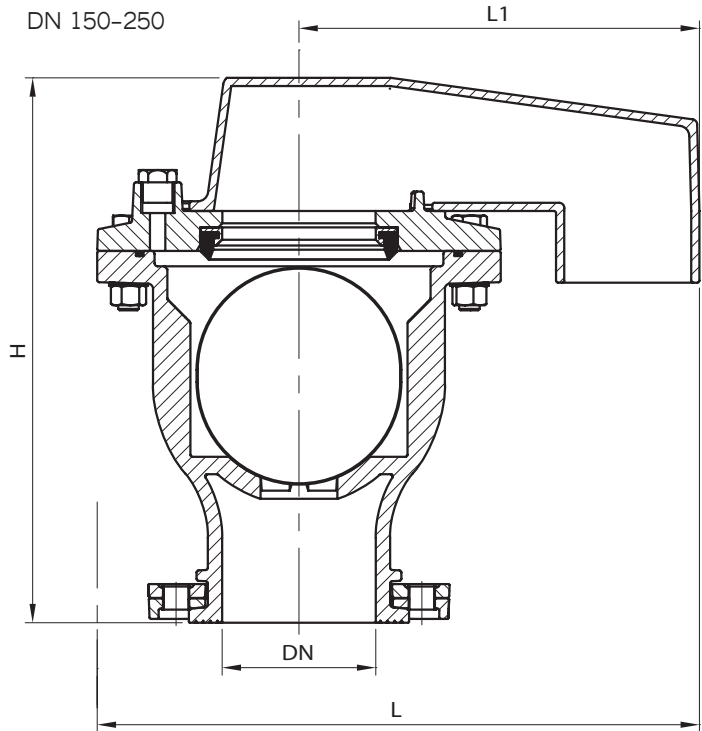
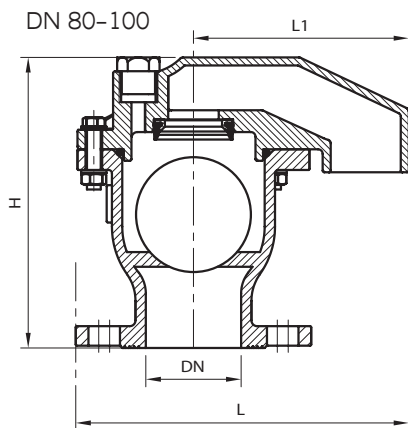
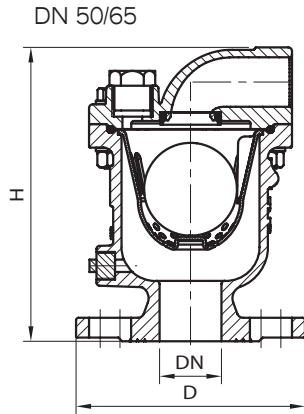
- Single orifice type, fully automatic double function for releasing air during filling the pipe and bringing air in (anti-vacuum) during emptying the pipe.
- Performances according to the requirements of EN 1074.
- Body and cover high quality polyamide (Rilsan - PA11) powder coated (fusion bonded), coating thickness DFT min. 250 micron, zero porosity (tested with 3000V), high impact resistance and cross-linkage according to DIN 30677-2 and DIN 3476.
- Float from non-corrosive material.
- Body provided with threaded drilling for discharging ball valve connection (available on request).
- Cover provided with threaded drilling for automatic air valve connection (to obtain a triple function device).
- Flanged connection with multi-size universal drilling to reduce stock variances (DN 50-65 PN 16-25; DN 80 PN 16-25 and DN 100 PN 16-25).
- From DN150 flip-on flange version: versatility and changing orientation on field option.
- Inner basket (from DN80) or special guides into body casting (from DN150) to keep float in optimal position during operation.
- Minimum operating pressure for watertight: 0,5 bar.

» **PERFORMANCES:**
FUNCTIONAL DIAGRAM AT PAGE 5.12



All metal, rubber, and coatings used have been designed for contact with water for human consumption, pursuant to the terms of Italian Health Ministry decree n° 174, dated 6/4/2004.

KINETIC TYPE FROM DUCTILE IRON



MATERIALS

Body and cover:

Ductile iron EN-GJS-400-15 / EN 1563 (former to DIN GGG40)

Float:

Up to DN80: polyamide, fully NBR rubber lined - PN10/16 or stainless steel 1.4301/ EN ISO10088 (correspondent to AISI304), fully rubber lined - PN 25
 From DN100: stainless steel 1.4301/ EN ISO10088 (correspondent to AISI304)

Seat:

Brass CuZn40Pb2

Seat sealing:

Outlined NBR rubber, potable water approved

Basket:

ABS

O-Rings:

NBR rubber, potable water approved

Bolts/nuts/washers:

Galvanized steel class 8.8 to EN ISO 898-1 or stainless steel A2-70 / EN ISO 3506. Stainless steel A4-70 on request

Plugs:

Galvanised malleable iron, or stainless steel A2-70 / EN ISO 3506 on request

DN	PFA	H	L	L1	Weight (kg)
50/65	0,5-16/25	240	185 (D)	-	12,6
80	0,5-16/25	253	290	188	18,5
100	0,5-16/25	286	340	220	28,4
150	0,5-16/25	532	588	391	94
200	0,5-16/25	532	588	391	100
250	0,5-16/25	623	626	391	146

All metal, rubber, and coatings used have been designed for contact with water for human consumption, pursuant to the terms of Italian Health Ministry decree n° 174, dated 6/4/2004.

