

RIGID TYPE "OMERO"



MOD. 6102 | **PN 16** | **DN 80/100**

Ductile iron hydrant above ground with No.2 outlets.



MOD. 6103 | **PN 16** | **DN 80/100**

Ductile iron hydrant above ground with No.3 outlets.

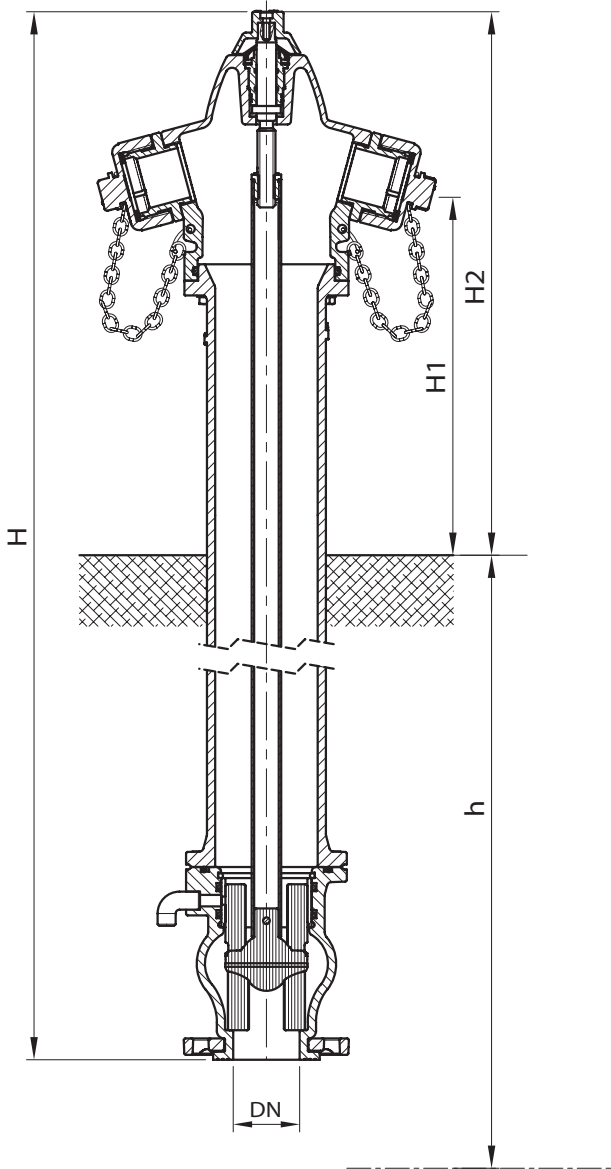
SPECIAL FEATURES

- According to the requirements of EN 14384 type A and EN 1074-6.
- Generously oversized column for high water capacity.
- Plug fully rubber vulcanised with special O-ring profile for lateral soft sealing without high compression of any rubber.
- Hydrant head, column and base high quality epoxy powder coated (fusion bonded), UV resistant.
- Multiple O-ring spindle sealing system embedded in non-corrosive material to DIN 3547-1.
- Stainless steel spindle (single forged round bar with rolled threading).
- Gliding disc on the spindle neck to reduce friction when operating the spindle.
- Sealing seat from stainless steel cylinder replaceable deeply corrosion and lamination resistant.
- Automatic drainage system at closed position of the plug.
- Routable flange at hydrant inlet for easy positioning.
- Marking according to EN 19.
- Outlet couplings (hose connections) and operating caps according to various standards possible, according to the following combinations
 $2 \times 2'' + 1 \times 2 \frac{1}{2}''$;
 $2 \times 2' \frac{1}{2}''$;
 $2 \times 2 \frac{1}{2}'' + 1 \times 4''$
- Possibility for mounting customized indicator plate (name, logo, etc.).
- Suitable complete with 90° duckfoot bend.



CE

All metal, rubber, and coatings used have been designed for contact with water for human consumption, pursuant to the terms of Italian Health Ministry decree n° 174, dated 6/4/2004.



MATERIALS

Head, column, basement and flanged connection:
 Ductile iron EN-GJS-400-15 / EN 1563
 (former to DIN GGG40)

Spindle:
 Stainless steel 1.4021/EN ISO 10088
 (equivalent to UNI X20Cr13 or AISI420)

Plug:
 Ductile iron EN-GJS-400-15 / EN 1563 fully EPDM
 rubber vulcanised, potable water approved

Bush and pipe nut:
 Brass CuZn40Pb2

Operating pipe:
 Steel C40 galvanized (on request stainless steel
 1.4301 / EN ISO10088 - AISI304)

Friction disc:
 POM resin

O-Rings and gaskets:
 EPDM rubber, potable water approved

Operating cap, nipples and plugs:
 Aluminium (brass on request)

Chains:
 Stainless steel 1.4301/EN ISO 10088 (AISI304)

Bolts/nuts/washers:
 Stainless steel A2-70 / EN ISO 3506

OPERATION

Manual action by pentagonal key as standard

| DN | h | H | H1 | H2 | Weight (kg) |
|------------|------|------|-----|-----|-------------|
| 80 | 1000 | 1541 | 450 | 650 | 79 |
| 100 | 1000 | 1541 | 450 | 650 | 85 |
| 80 "MINI" | - | 940 | 450 | 650 | 59 |
| 100 "MINI" | - | 940 | 450 | 650 | 65 |

All metal, rubber, and coatings used have been designed for contact with water for human consumption, pursuant to the terms of Italian Health Ministry decree n° 174, dated 6/4/2004.