

MOD. 7101 | PN 10-16 | DN 50-300

Non return valve spring loaded.



SPECIAL FEATURES

- Thanks to Venturi effect: low head losses, noiseless and reliability in non return device.
- Exploitation of Venturi effect to obtain reliability in non return device with low head losses and noiseless.
- Minimum differential pressure for opening: 0,1 bar.
- Minimum differential pressure of closing for a perfect sealing: 0,5 bar.
- Solid plug fully rubber coated controlled by stainless steel retained spring.
- Flow value directly depending by opening degree.
- Brass seat for sealing by compression with the plug rubber.
- Maximum working temperature: 70°C.
- Operating pressure: 16 bar
- Testing pressure: 25 bar



MATERIALS

Body:

Ductile iron, GJS 500-7 UNI EN 1563 (former to DIN GGG50)

Valve plug

Ductile iron, GJS 500-7 UNI EN 1563 (former to DIN GGG50) with EPDM rubber coating

Seat:

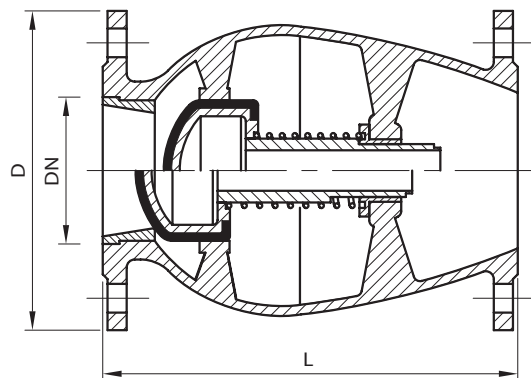
Brass CuZn40Pb2

Spring:

Stainless Steel 1.4301 (AISI 304)

Bushing:

POM



DN	D	L	Weight (kg)
50	165	200	10
65	185	240	14
80	200	260	18
100	220	300	26
150	285	400	50
200	340	500	90
250	400	600	145
300	455	700	220

All metal, rubber, and coatings used have been designed for contact with water for human consumption, pursuant to the terms of Italian Health Ministry decree n° 174, dated 6/4/2004.